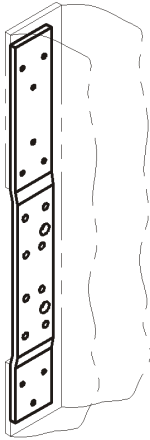


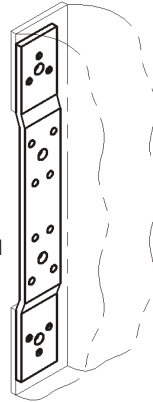
STANDARD HARDWARE PREPARATIONS

7 GAUGE EXTENDED
TO TOP OF DOOR
FOR EXTRA RIGIDITY
WITH 3 EXTRA
PROJECTION WELDS



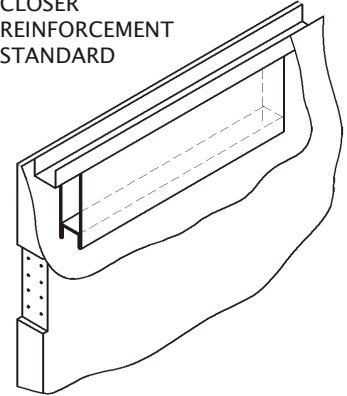
DETAIL D
TOP HINGE
REINFORCEMENT

7 GAUGE WITH
6 PROJECTION
WELDS



DETAIL E
ALL OTHER HINGE
REINFORCEMENT

14 GAUGE BOX TYPE
CLOSER
REINFORCEMENT
STANDARD



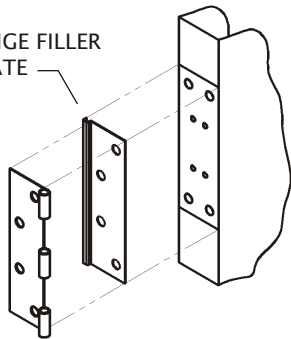
DETAIL F

14 GAUGE ONE
PIECE REINF.
CLEARANCED FOR
THRU BOLTS

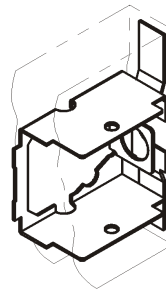
16 GAUGE ONE
PIECE FORMED LOCK
REINF. WITH EXTRUDED
TAPPED HOLES TO
EQUAL OR EXCEED
14 GAUGE THICKNESS

ONE PIECE 14 GAUGE
LOCK REINFORCEMENT
FOR GOVERNMENT
86 TYPE MORTISE LOCK

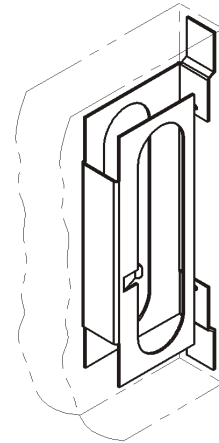
HINGE FILLER
PLATE



"UNIVERSAL HANDING"



DETAIL G1
"CYLINDRICAL LOCK
REINFORCEMENT"



DETAIL G2
"MORTISE LOCK
REINFORCEMENT"