

STANDARD STEEL FRAMES

SPECIFICATIONS

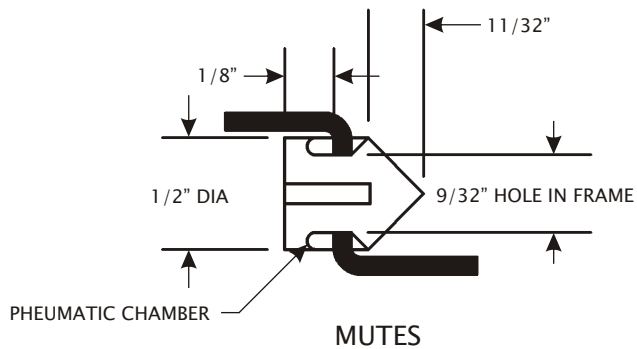
MESKER STANDARD STEEL FRAMES

1. Frames shall be manufactured by Mesker Door Incorporated and designated as F-416 (16 GA) or F-414 (14 GA) for 1 3/4" doors, F-412 for Bullet Resistant Frames and F-816 (16 GA) for 1 3/8" doors.
2. Frames shall be fabricated from cold rolled or A60 galvanized steel.
3. Frames shall be furnished knocked down. Mitered corners shall have a strong four tab interlocking system to maintain tight fineline miters.
4. Frames for 1 3/4" doors shall be prepared for a 4 1/2" x 4 1/2" standard or heavy weight template hinges and ANSI 115.1 universal strike.
5. Frames for 1 3/8" doors shall be prepared for 3 1/2" x 3 1/2" standard weight template hinges and ANSI 115.3 cylindrical strike.
6. Frames shall be adequately reinforced for all hardware.
7. Strike and hinge reinforcements shall be protected by plaster guards.
8. Frames shall be supplied with 1 sill anchor.
9. Frames shall be furnished with rubber mutes, three per strike jamb.
10. Frames shall receive 1 coat of baked-on rust inhibitive gray primer.
11. For installation instructions see ANSI A250.11-2001 and DS-201-5.

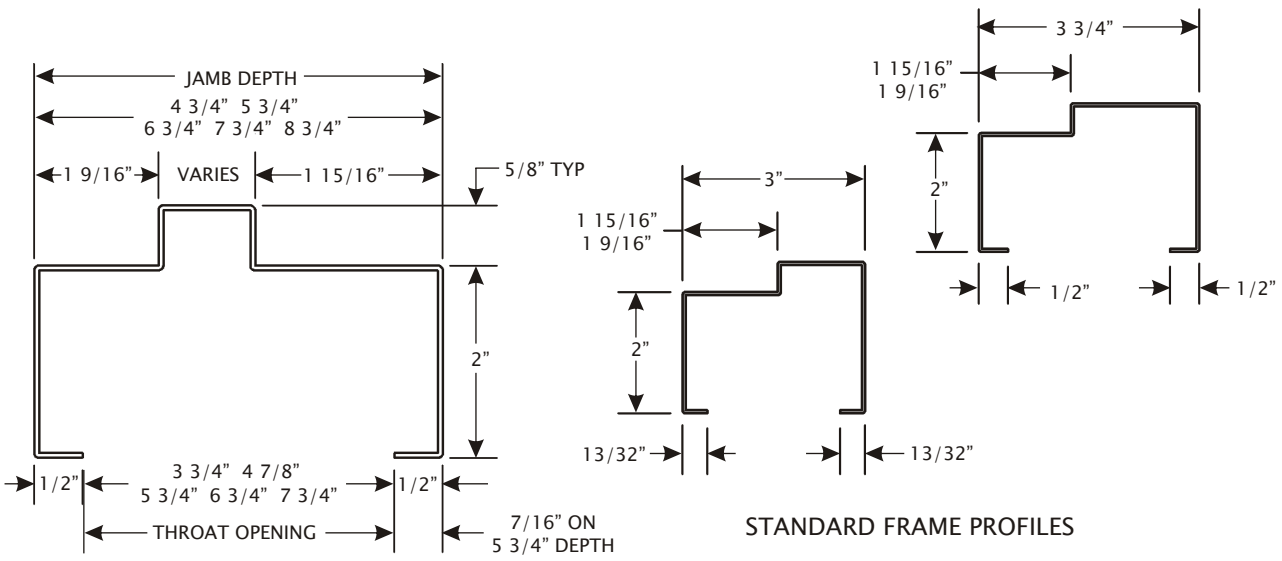


TECHNICAL DATA SHEET

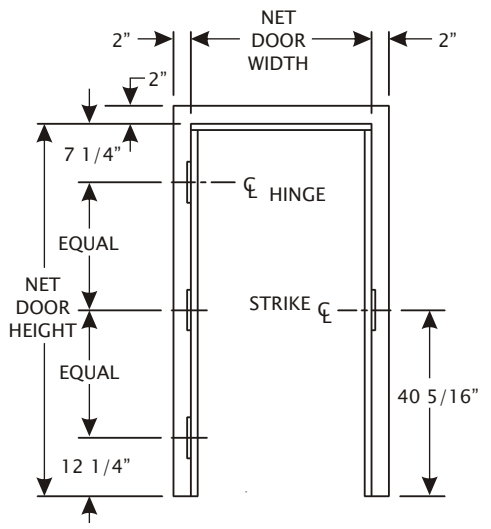
DS-201-2



TO INSTALL IN FIELD INSERT BLUNT END OF 3/32" DIAMETER WIRE OR TOOL INTO THE HOLE IN CENTER OF THE MUTE. MOISTEN CONE PORTIONS AND INSERT INTO 9/32" HOLE IN STOP OF FRAME, PUSH SLOWLY WITH A CIRCULAR MOTION TO ELONGATE CONICAL PORTION SUFFICIENTLY TO SET MUTE IN PLACE.



FINISHED OPENING HEIGHT	FINISHED OPENING WIDTH		FRAME DIMENSIONS	
	SINGLE	DOUBLE	JAMB DEPTH	THROAT OPENING
	2'-0"	4'-0"		
	2'-4"	4'-8"	3"	2 3/16"
6'-8"	2'-6"	5'-0"	3 3/4"	2 3/4"
7'-0"	2'-8"	5'-4"	4 3/4"	3 3/4"
7'-2"	3'-0"	6'-0"	5 3/4"	4 7/8"
8'-0"	3'-6"	7'-0"	7 3/4"	6 3/4"
	3'-8"	7'-4"	8 3/4"	7 3/4"
	4'-0"	8'-0"		



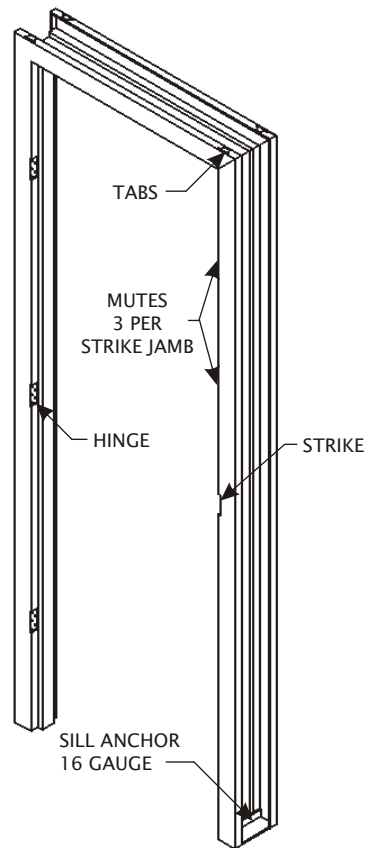
January 2007



MESKER
www.meskerdoor.com
 256-851-6670, 256-852-5846

TECHNICAL DATA SHEET

DS-201-4



GENERAL INFORMATION

STRIKE PREPARATIONS

Frames are prepared for 4 7/8" high universal strike (ANSI 115.1) specify "U" and 2 3/4" high cylindrical strike (ANSI 115.3) specify "C".

HINGE PREPARATIONS

Frames for 1 3/4" doors are prepared for 4 1/2" x 4 1/2" standard or heavy weight template hinges. 1 1/2" pair on doors up to 7'-2" in height and 2 pair on 7'-10" and 8'-0".

Frames for 1 3/8" doors are prepared for 3 1/2" x 3 1/2" standard weight template hinges. 1 pair on 6'-8" doors and 1 1/2" pair on 7'-0" and 7'-2" doors. U/L labeled frames have 1 1/2" pair on all sizes.

ANCHORS

Anchors must be specified to correspond with wall condition. Details are shown on the following data sheets:

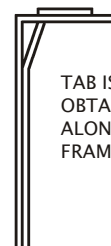
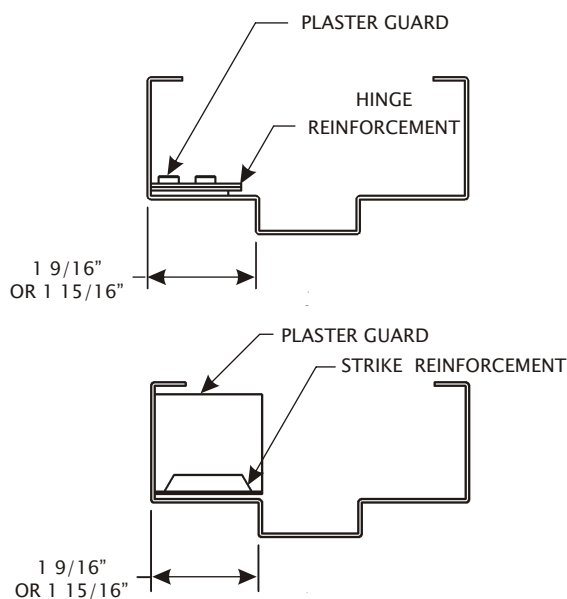
- Wire Anchor - DS 246
- Masonry Tee Anchor - DS 242
- Wood and Steel Stud Anchor - DS 243
- U/L Labeled Masonry Anchor - DS 241
- Existing Wall Anchor - DS 245

SILL ANCHORS

Each jamb is supplied with 1-16 gauge sill anchor.

MUTES

Each frame is furnished with rubber mutes. Three per strike jamb.



SECTION THRU TAB

January 2007



MESKER

www.meskerdoor.com
256-851-6670, 256-852-5846

F-SERIES ASSEMBLY INSTRUCTION

1. Slide header over jamb corner tabs, insert into slots.
2. Bend tabs on jamb rabbets out per illustration. (NOTE: Bending tabs in will increase door opening dimension.)
3. Bend corner tabs in per illustration.

